

# HOFFMANN POWER PRODUCTS

## PARTS LIST 2012

### TAMPING RAMMER

### MR68H/MR75R



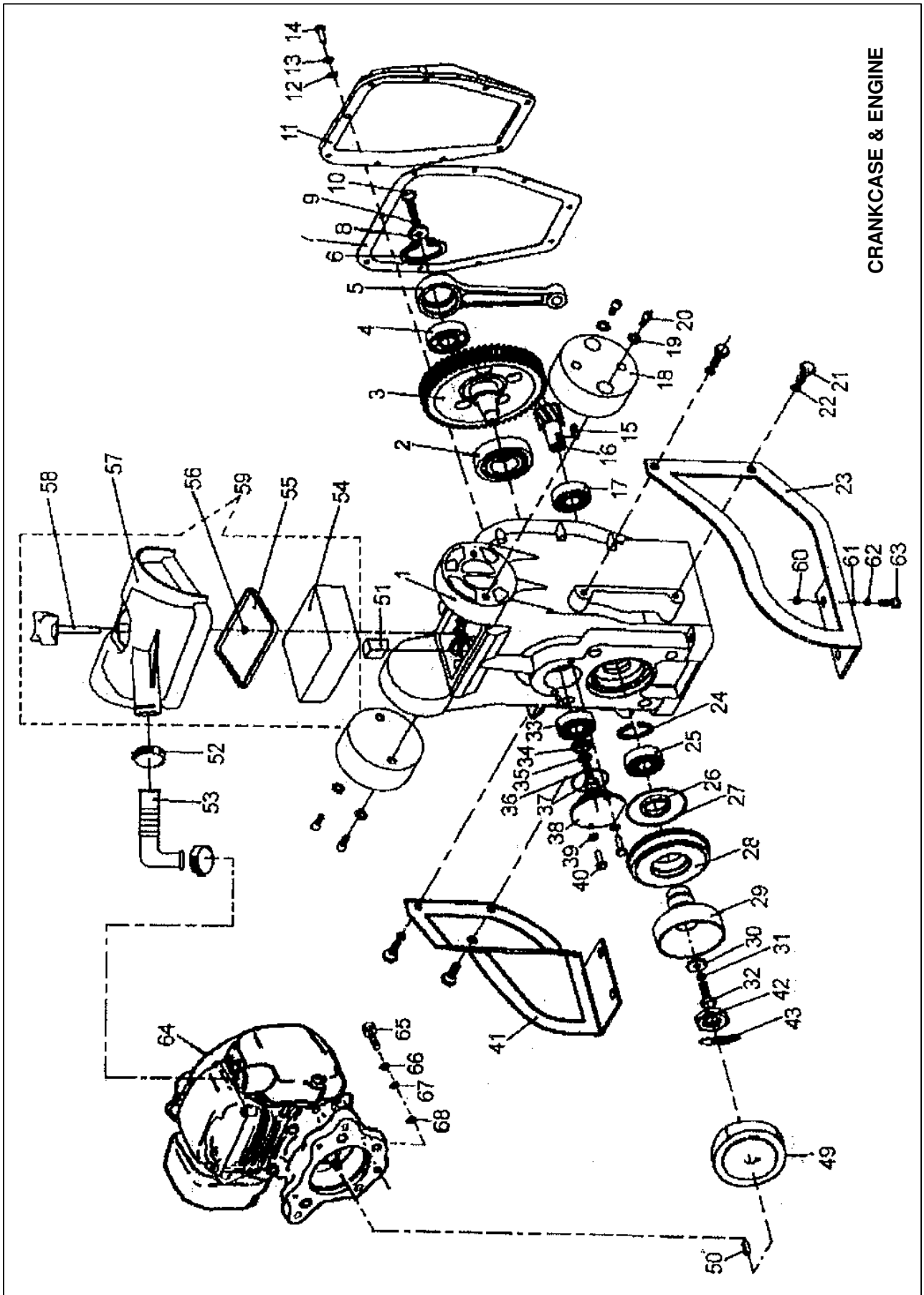
ALL PARTS ARE SUBJECT TO STANDARD HOFFMANN TERMS AND CONDITIONS OF SALE 2010

Replacement parts are not manufactured, sold or warranted by O.E.M's and any part numbers and or descriptions are used for identification purposes only.

Manufacturers names, numbers and descriptions are used for reference purposes only and it is not implied that any part listed is the product of the manufacturers.

All pictures and drawings are for reference purposes only; any specifications appearing in any documents emanating from The Company are approximate only and are subject to modifications without notice.

All rights reserved, material contained in this publication for which copyright is acknowledged. No part of this publication may be reproduced or transmitted in any form or by any means without written permission of the copyright holder. Copyright Hoffmann International©2012.



CRANKCASE & ENGINE

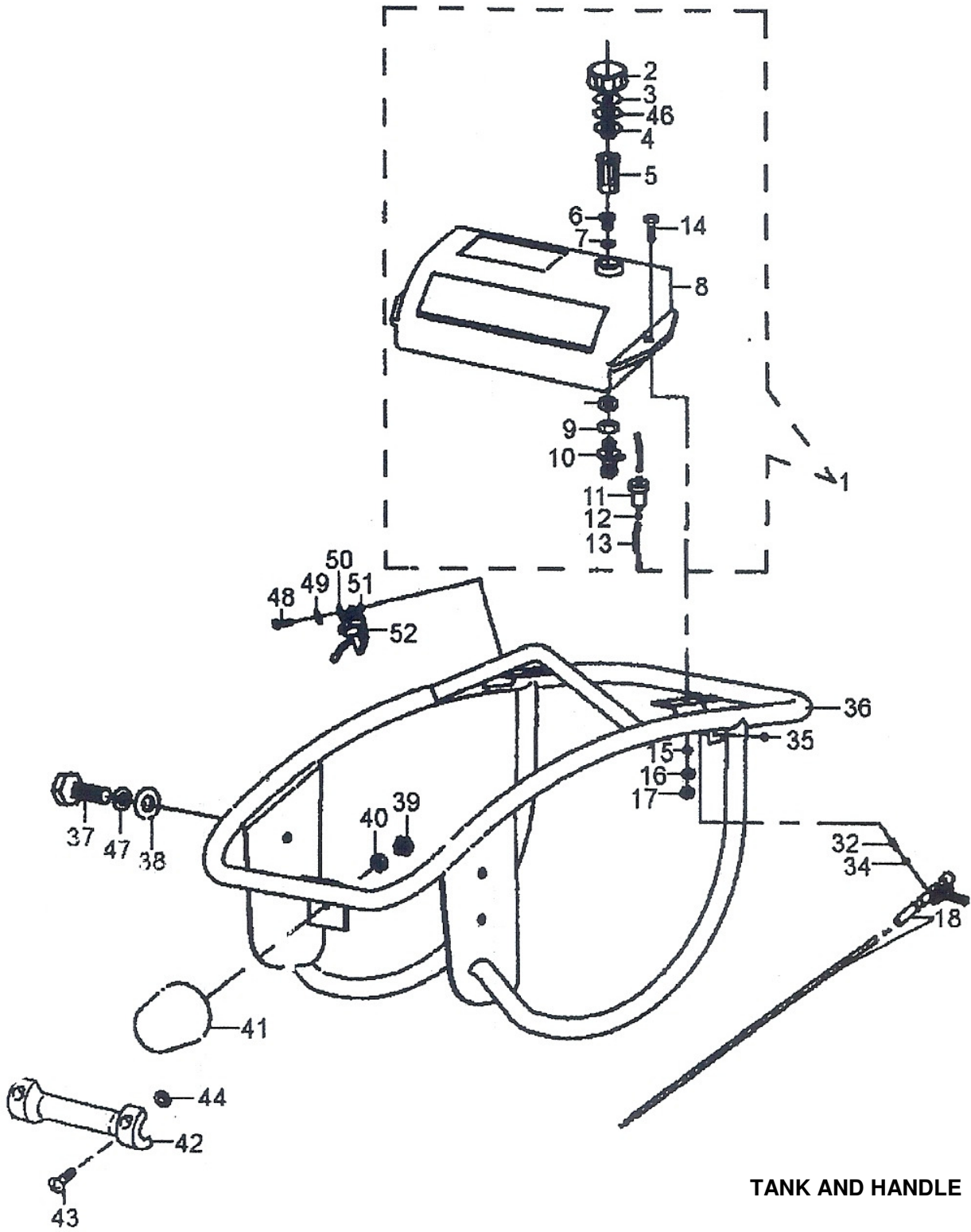
**CRANKCASE AND ENGINE**

No	Description	QTY.	Part No.
1	Crankcase	1	MRS80-804001C
		1	
2	Bearing 6207-GB276	1	6204
3	Crank Gear for MR68H	1	MRS80-804101B
	Crank Gear for MR75R	1	MRS80-804101C
4	Bearing 6304-GB276	1	6304
5	Connecting Rod	1	MRS80-804301A
6	Retaining Ring 52-GB893.1	1	GB893.1-52
7	Packing, Front Cover	1	MRS80-804003A
8	Retaining Ring	1	MRS80-804302
9	Spring Washer 8-GB93	1	GB93-8
10	Bolt M8X25-GB5783	1	GB5783-M8X25
11	Gear Cover	1	MRS80-804002B
12	Washer 6-GB97.1	9	GB97.1-6
13	Spring Washer 6-GB93	9	GB93-6
14	Bolt M6X20-GB5783	9	T5783-M6X20
15	Key for MR68H	1	GB1096-5X20
	Key for MR75R	1	GB1096-6X20
16	Gear Shaft for MR68H	1	MRS80-804201B
	Gear Shaft for MR75R	1	MRS80-804201C
17	Bearing 6204-GB276	1	6204
18	Vibration Damper	2	MRS80-806000
19	Spring Washer 10-GB93	4	GB93-10
20	Hexagonal Bolt M10X20-GB70	4	GB70-M10X20
21	Bolt M8X20-GB5783	4	GB5783-M8X20
22	Spring Washer 8-GB93	4	GB93-8
23	Protection Frame, Right for MR68H	1	MRS80-805002/R
	Protection Frame, Right for MR75R	1	MRS80-805003/R
24	Retaining Ring 35-GB/T894.1-1986	1	GB/894.1-35
25	Bearing 6007Z-GB278	1	6007Z
26	Seal 40X52X8-F GB/T13871-1992	1	GB/T13871-40X52X8-FB
27	O-Ring 95X2.65-GB3452.1	1	GB3452.1-95X2.65
28	Space for MR68H	1	MRS80-808000B
	Space for MR75R	1	MRS80-808000B2
29	Clutch Drum for MR68H	1	MRS80-807000a
	Clutch Drum for MR75R	1	MRS80-807000b
30	Retaining Ring	1	MRS80-804202
31	Spring Washer 8-GB93	1	GB93-8
32	Bolt M8X25-GB5783	1	GB5783-M8X30
33	Bearing 6204-GB276 (Chinese)	1	6204

**CRANKCASE AND ENGINE**

<b>No</b>	<b>Description</b>	<b>QTY.</b>	<b>Part No.</b>
34	Retaining Ring	1	MRS80-804102
35	Spring Washer 8-GB93	1	GB93-8
36	O-Ring 43.7X1.8-GB3452.1	1	GB3452.1-43.7x1.8
37	Bolt M8X25-GB5783	1	GB5783-M8X25
38	Bearing Cover for MR68H	1	MRS80-804004
	Bearing Cover for MR75R	1	MRS80-804004A
39	Spring Washer 6-GB93	2	GB93-6
40	Bolt M6X20-GB5783	2	GB5783-M6X20
41	Protection Frame, Left for MR68H	1	MRS80-805002/L
	Protection Frame, Left for MR75R	1	MRS80-805003/L
42	Nut M12X1.25 GB/T808-1988	1	GBT808-M12X1.25
43	Washer 12 GB/T856-1988	1	MRS80-809006
49	Clutch Assy.	1	MRS80-809000
50	Key 4X12	1	MTSP-G001
51	Element	1	MRS80-804005
52	Hose Clamp 25-38 (3.0 HP)	2	MTSP-H003
53	Intake Pipe for MR68H	1	MRS80-801011
	Intake Pipe for MR75R	1	MRS80-801011A
54	Air Cleaner Element	1	MRS80-804403
55	Packing, Air Cleaner	1	MRS80-804404
56	O-Ring 7.5 X 1.8	1	GB3452-1-7.5X1.8
57	Air Cleaner Cover	1	MRS80-804401
58	Knob	1	MRS80-804402
59	Air Cleaner Assy.	1	MRS80-804400
60	Nut M8 GB/T6170-1986 (MR75R Only)	4	GB/T6170-M8
61	Washer 8-GB97.1	4	GB97.1-8
62	Spring Washer 8-GB93	4	GB93-8
63	Bolt M8X30-GB5783 for MR68H	4	GB5783-M8X30
	Bolt M8X40-GB5783 for MR75R	4	GB5783-M8X40
64	Honda GX100 Engine	1	081000
	Robin EH12-2D Engine	1	051210
65	Bolt M8X40-GB5783 for MR68H	4	T5783-M8X40
	Bolt M10X50-GB5783 for MR75R	2	T5783-M10X50
66	Spring Washer 8-GB93 for MR68H	4	GB93-8
	Spring Washer 10-GB93 for MR75R	4	GB93-10
67	Washer 8-GB97.1 for MR68H	4	GB97.1-8
	Washer 10-GB97.1 for MR75R	4	GB97.1-10
68	Nut M10 GB/T6170-1986	4	T6170-1986-M10

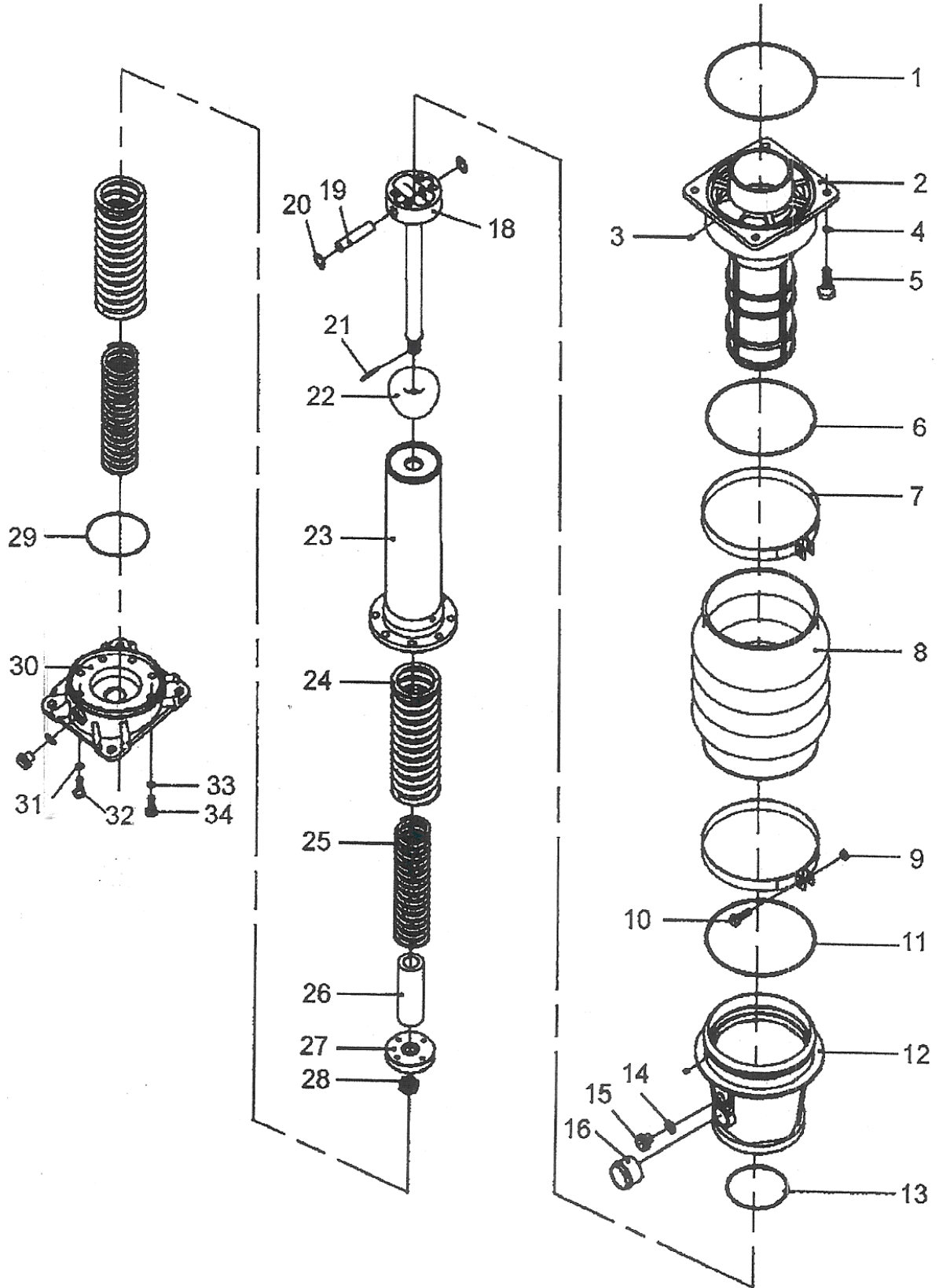
\*\*\* ITEM No. 59 INCLUDING ITEM No. 54-58



**TANK & HANDLE**

<b>No</b>	<b>Description</b>	<b>QTY.</b>	<b>Part No.</b>
1	Tank Assy	1	MRS80-801000
2	Tank Cap	1	MRS80-801003
3	Packing, Fuel Tank	1	MRS80-801005
4	Holder, Cock	1	MRS80-801004
5	Oil Strainer	1	MRS80-801002
6	Connector	1	MRS80-801007
7	O-Ring 14X3.55-GB3452.1-1992	1	GB3452.1-14X3.55
8	Tank	1	MRS80-801001
9	Nut M14X1.5-GB/T6170-1986	1	GB6173-M14X1.5
10	Fuel Cock	1	MRS80-801006
11	Fuel Filter	1	MRS80-801008
12	Hose Clamp	2	MTSP-H002
13	Fuel Hose	2	MTSP-H001
14	Bolt M8X30-GB5783	2	GB5783-M8X30
15	Washer 8-GB97.1	2	GB97.1-8
16	Spring Washer 8-GB93	2	GB93-8
17	Nut M8 GB/T6170-1986	2	T6170-M8
18	Throttle Control Assy. (Including Cable)	1	MRS80-809910D
32	Bolt M6X30-GB5783	2	GB70-M6X16
34	Spring Washer 6-GB93	2	GB93-6
35	Nut M6 GB/T6170-1986	2	T6170-M8
36	Handle	1	MRS80-805001C
37	Bolt M10X20-GB5783	4	GB5783-M10X20
38	Spring Washer 10-GB93	4	GB93-10
39	Nut M8 GB/T6170-1986	1	T6170-M8
40	Spring Washer 8-GB93	1	GB93-8
41	Rubber	1	MRS80-805004
42	Roller	1	MRS80-805011
43	Bolt M5X25-GB/T818-M5X25	1	GB/T70.1-M5X16
44	Nut M5-GB/T6183-1986	1	GB/T889.1-M5
46	Packing, Fuel Tank	1	MRS80-801010
47	Washer 6-GB97.10	4	GB97.1-10
48	Bolt M4X14	2	GB818-M4X14
49	Spring Washer 4	2	GH93-4
50	Washer 4	2	GB97.1-4
51	Nut M4	2	T6170-M4
52	On-Off Switch	1	MTSP-G002

\*\*\* ITEM No. 1 INCLUDING ITEM No. 2-13, 46.

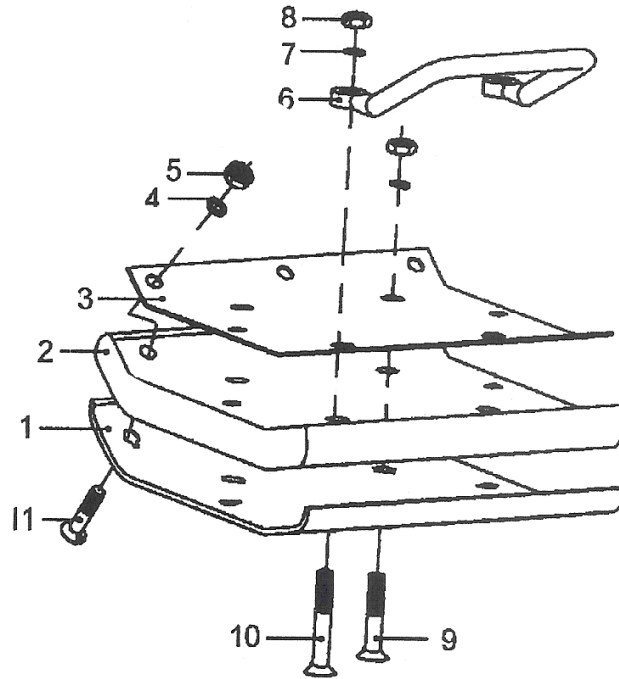


GUIDE CYLINDER AND SPRING ASSY.

**GUIDE CYLINDER AND SPRING ASSY**

<b>No</b>	<b>Description</b>	<b>QTY.</b>	<b>Part No.</b>
1	O-Ring 160X5.3-GB3452.1	1	GB3452.1-160X5.3
2	Guide Cylinder	1	MRS80-803201A
3	Pin 6X8-GB119	2	MRS80-803202
4	Spring Washer 10-GB93	4	GB93-10
5	Bolt M10X35-GB5783	4	GB5783-M10X35
6	O-Ring 160X3.55-GB3452.1	1	GB3452.1-160X3.55
7	Bellow Clamp	2	MRS80-803204
8	Bellow	1	MRS80-803203
9	Nut M8 GB/T6170-1986	2	GB/T6170-M8
10	Bolt M8X40-GB5783	2	T5783-M8X35
11	O-Ring 160X3.55-GB3452.1	1	GB3452.1-160X3.55
12	Protection Sleeve	1	MRS80-803111B
13	O-Ring 95X2.65-GB3452.1	1	GB3452.1-95X2.65
14	Copper Washer 14	2	MRS80-803112
15	Plug M14X1.5	2	JB/ZQ4450-M14X1.5
16	Level Gauge M24X1.5-GB1160.2	1	GB1160.2-M24X1.5
18	Piston Rod	1	MRS80-803301A
19	Piston Pin	1	MRS80-803302
20	Retaining Ring 15-GB893.1	2	GB893.1-15
21	Pin 3X32 GB/T91-1986	1	GB/T91-3.2X32
22	Stopper, Upper	1	MRS80-803304
23	Spring Cylinder	1	MRS80-803102A
24	Spring, Outer	2	MRS80-803001B
25	Spring, Inner for MR68H	2	MRS80-803002B2
	Spring, Inner for MR75R	2	MRS80-803002B
26	Stopper, Lower	1	MRS80-803305
27	Piston End	1	MRS80-803303
28	Nut M18X1.5	1	GB/T6178-M18X1.5
29	O-Ring 87.5X3.55	1	GB3452.1-87.5X3.55
30	Foot Plate	1	MRS80-803101B
31	Spring Washer 10-GB93	4	GB93-10
32	Hexagonal Bolt M10X20-GB70	4	GB70-M10X20
33	Spring Washer 10-GB93	4	GB93-10
34	Hexagonal Bolt M10X40-GB70	4	GB70-M10X40





**FOOT ASSY.**

No	Description	QTY.	Part No.
1	Metal Sheet	1	MRS80-802001
2	Foot	1	MRS80-802002
3	Foot Cover	1	MRS80-802003
4	Spring Washer 10-GB93	7	GB93-10
5	Hexagonal Nut M10-GB889	7	GBT889-M10
6	Lifting Hook	1	MRS80-802006
7	Spring Washer 12-GB93	4	GB93-12
8	Hexagonal Nut M12-GB889	4	GBT889-M12
9	Screw M12X65-GB11	2	MRS80-802004-70
10	Screw M12X75-GB11	2	MRS80-802004-75
11	Screw M10X50-GB11	7	MRS80-802005