

HOFFMANN POWER PRODUCTS

PARTS LIST 2014

HOFFMANN R175A Diesel Engines

ALL PARTS ARE SUBJECT TO STANDARD HOFFMANN TERMS AND CONDITIONS OF SALE 2010

Replacement parts are not manufactured, sold or warranted by O.E.M's and any part numbers and or descriptions are used for identification purposes only.

Manufacturers names, numbers and descriptions are used for reference purposes only and it is not implied that any part listed is the product of the manufacturers.

All pictures and drawings are for reference purposes only; any specifications appearing in any documents emanating from The Company are approximate only and are subject to modifications without notice.

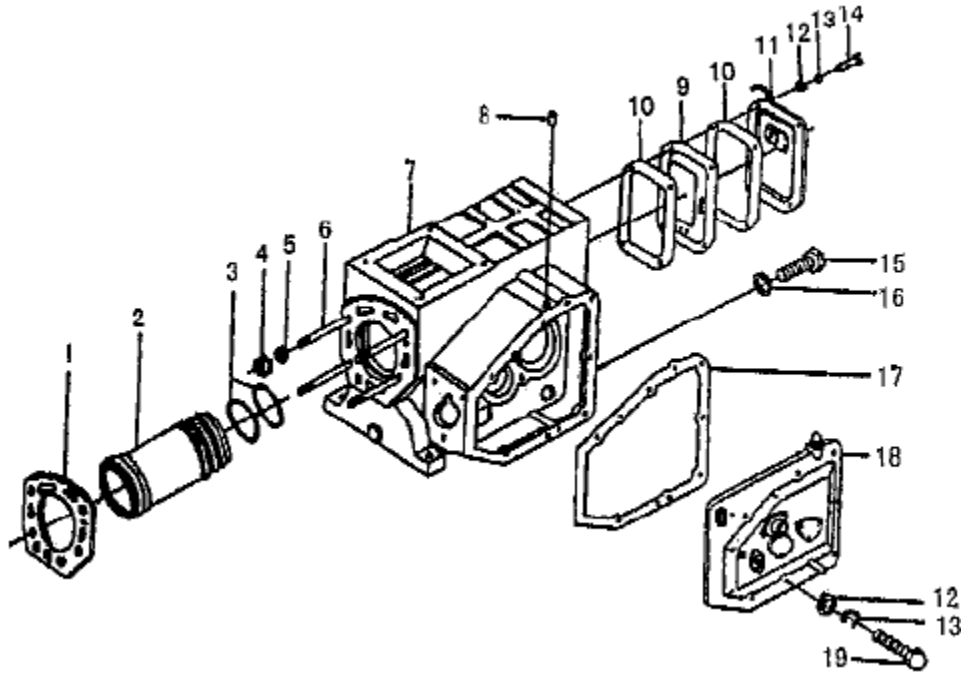
All rights reserved, material contained in this publication for which copyright is acknowledged. No part of this publication may be reproduced or transmitted in any form or by any means without written permission of the copyright holder. Copyright Hoffmann International©2012.

CONTENT

PART LISTINGS

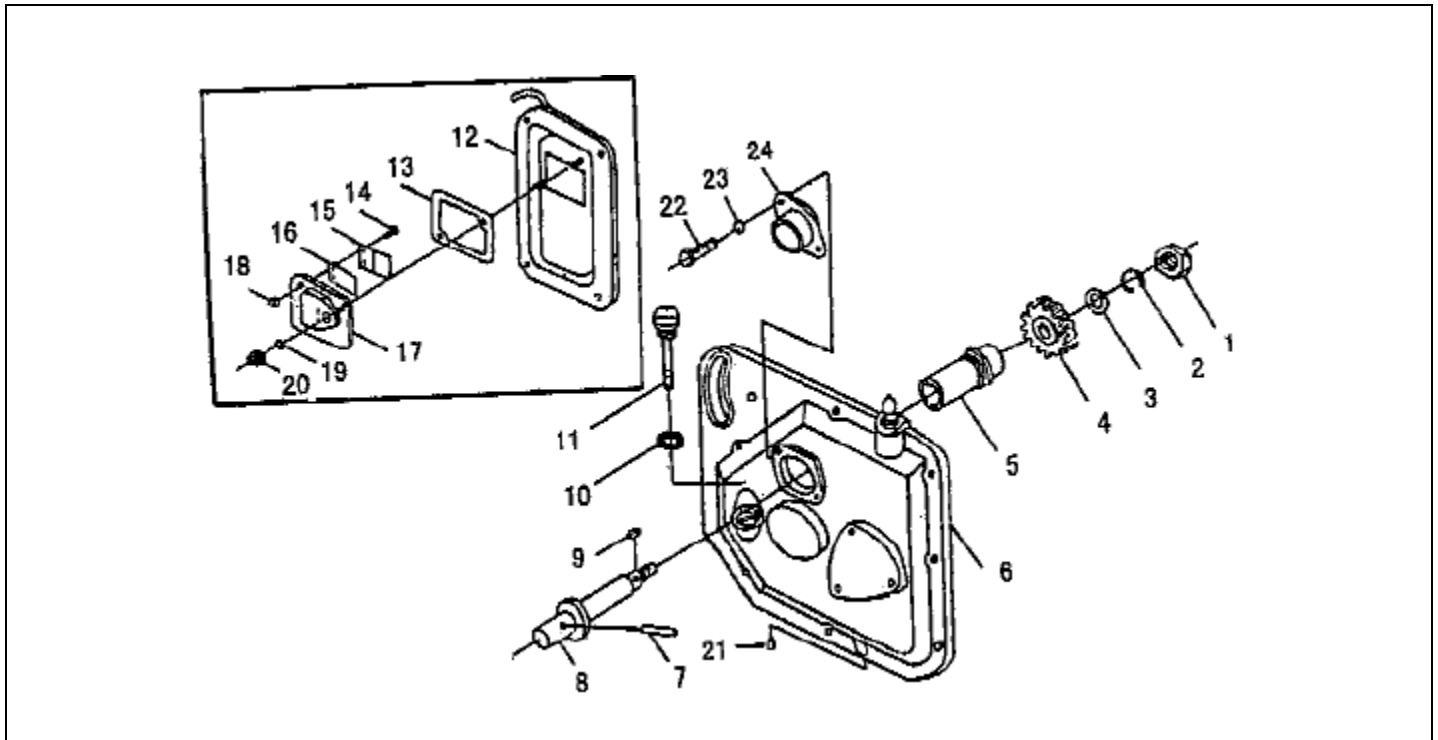
- Fig 1** Cylinder Block Assembly
- Fig 2** Breather Timing Gear Cover Assembly
- Fig 3** Cylinder Head Assembly
- Fig 4** Piston and Connecting Rod Assembly
- Fig 5** Crankshaft and Flywheel Assembly
- Fig 6** Camshaft Assembly
- Fig 7** Intake System
- Fig 8** Exhaust System
- Fig 9** Lubricating System
- Fig 10** Fuel Delivery System
- Fig 11** Governor and Operating System
- Fig. 12** Water Hopper Assembly
- Fig. 13** Fuel Injection Pump Assembly
- Fig. 14** Injector Assembly
- Fig. 15** Condenser Assembly (Part 1)
- Fig 16** Condenser Assembly (Part 2)
- Fig 17** Tools Supplied with Engine

Fig. 1. Cylinder Block Assembly



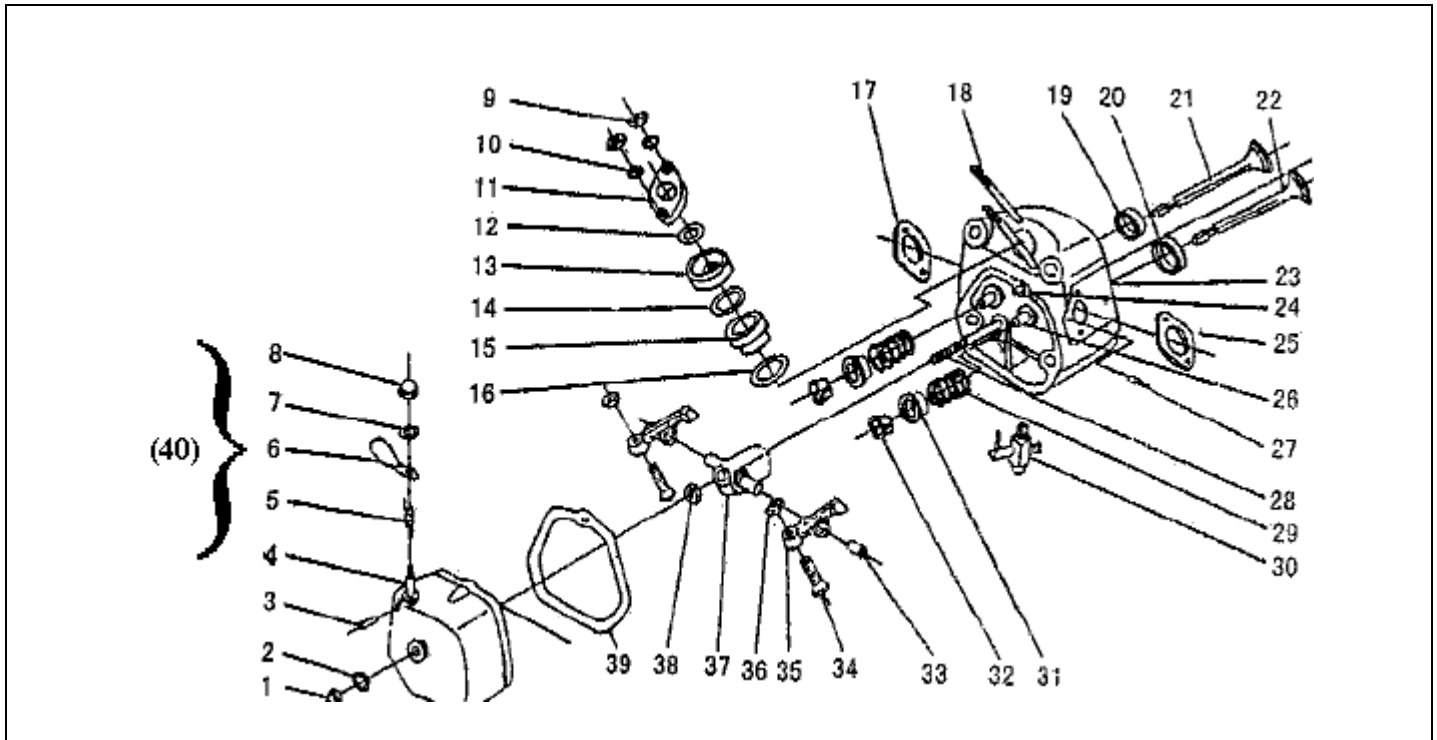
No	Description	QTY.	Part No.
1	Cylinder Head Gasket	1	HD175A-01003
2	Cylinder Liner	1	HD175A-01005
3	Cylinder "O" Ring	2	HD175A-01006
4	Cylinder Head nut	4	
5	Washer	4	
6	Cylinder Head Stud	4	HD175A-01002
7	Cylinder Block	1	HD175A-01004
8	Bushing for Governor Lever Shaft	1	
9	Breather Inner Plate	1	HD175A-01102
10	Packing for Rear Cover	2	HD175A-01110
11	Breather Cover Weldment	1	HD175A-011101
12	Washer	11	
13	Washer	4	
14	Bolt	4	
15	Oil-Drain Plug	5	HD175A-01015
16	Washer – Drain Plug	1	HD175A-01016
17	Gear Cover Gasket	1	HD175A-01017
18	Gear Cover	1	HD175A-01200
19	Bolt	7	

Fig 2. Breather Timing Gear Cover Assembly



No	Description	QTY.	Part No.
1	Nut	1	
2	Washer	1	
3	Washer	1	
4	Starting Gear	1	HD175A-01202A
5	(Sleeve-Bush) – Driving Shaft	1	HD175A-11204
6	Timing Gear Case Cover	1	
7	Pin	1	
8	Starting Shaft	1	HD175A-01205
9	{ 'O' Ring c/w Dip Stick	1	HD175A-01203
10			
11	Oil Filter Plug	1	
12	Breather Cover Weldment Assembly	1	
13	Breather Gasket	1	
14	Screw	2	
15	Breather Plate	1	
16	Breather Spring Plate	1	
17	Breather Inner Cover	1	
18	Nut	2	
19	Washer	2	
20	Nut	2	
21	Plug	2	
22	Bolt	2	
23	Washer	2	
24	Shelter of Starting Shaft	2	

Fig. 3. Cylinder Head Assembly

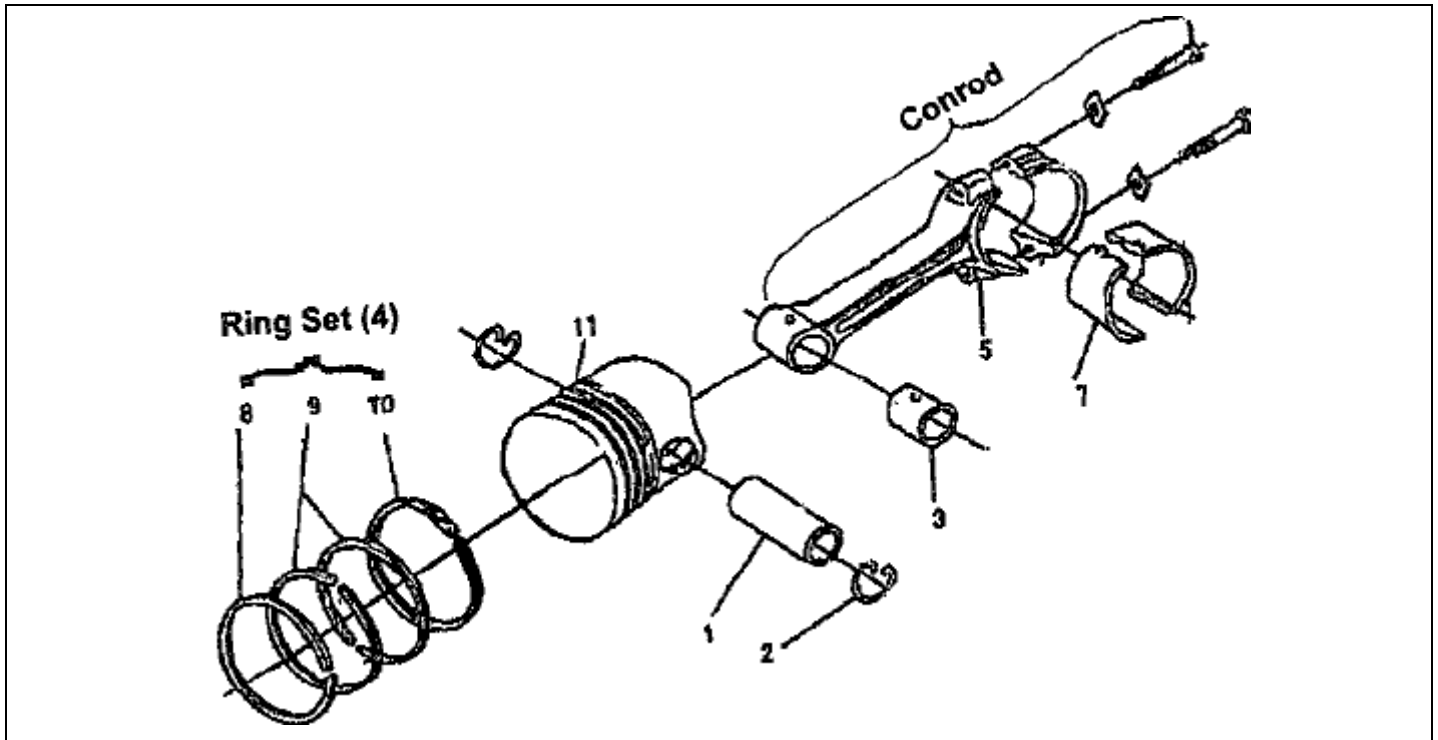


No	Description	QTY.	Part No.
1	Nut	1	
2	Washer	1	
3	Pin	1	
4	Decompression Shaft	1	
5	Decompression Shaft Spring	1	
6	Decompression Handle	1	
7	Washer	1	
8	Nut	1	
9	Nut	2	
10	Washer	2	
11	Injector Clamp Plate	1	
12	Washer	1	
13	Pre-Combustion Upper Charner	1	
14	Washer	1	
15	Pre-Combustion Lower Chamber	1	
16	Washer of Precombustion Chamber	1	
17	Packing for Exhaust Pipe	1	HD175A-03018
18	Stud	2	
19	Exhaust Valve Seat	1	HD175A-03303
20	Inlet Valve Seat	1	HD175A-03304
21	Exhaust Valve	1	HD175A-03003A
22	Inlet Valve	1	HD175A-03004A
23	Cylinder Head Bare	1	HD175A-03000

Fig. 3. Cylinder Head Assembly (Continued)

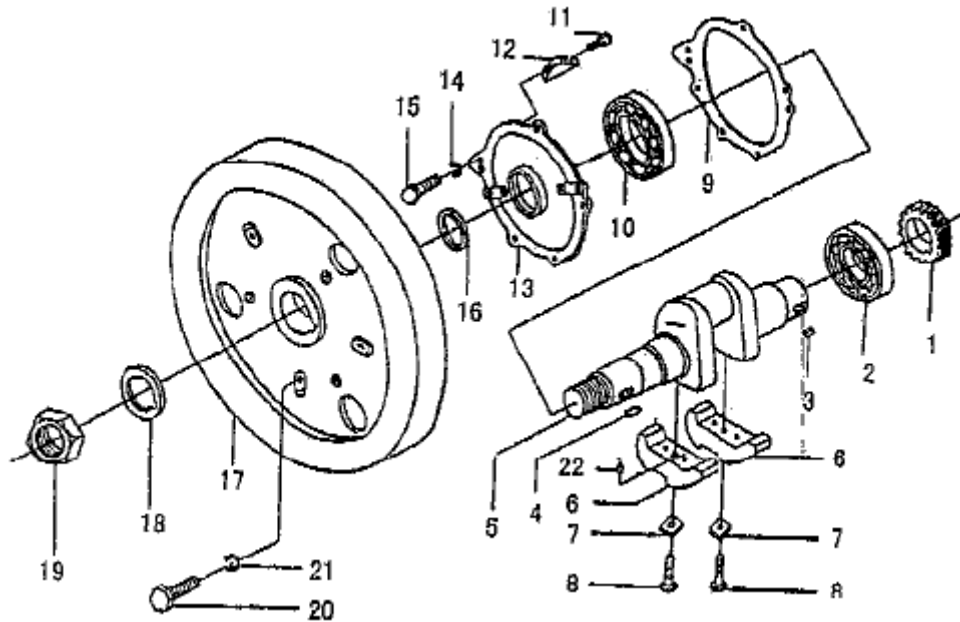
No	Description	QTY.	Part No.
24	Locating Pin	2	
25	Packing for Intake Pipe	1	
26	Valve Guide	2	HD175A-03301A
27	Oil Plug	1	
28	Stud for Rocker Arm	1	HD175A-03015
29	Valve Spring	2	HD175A-03005
30	Drain Cock	1	
31	Valve Spring Seat	2	HD175A-03002
32	Valve Collect	4	HD175A-03001
33	Rocket Arm Shaft Bushing	2	HD175A-03101
34	Adjusting Screw	2	HD175A-03006
35	Rocker Arm	2	HD175A-03102
36	Nut	2	
37	Rocket Arm Shaft Support	1	HD175A-03016
38	Nut	1	
39	Cylinder Head Cover Gasket	1	HD175A-03021
40	Cylinder Head Cover Assy	1	HD175A-03201AS
41	Cylinder Head Assembly	1	HD175A-030ASSY

Fig. 4. Piston and Connecting Rod Assembly



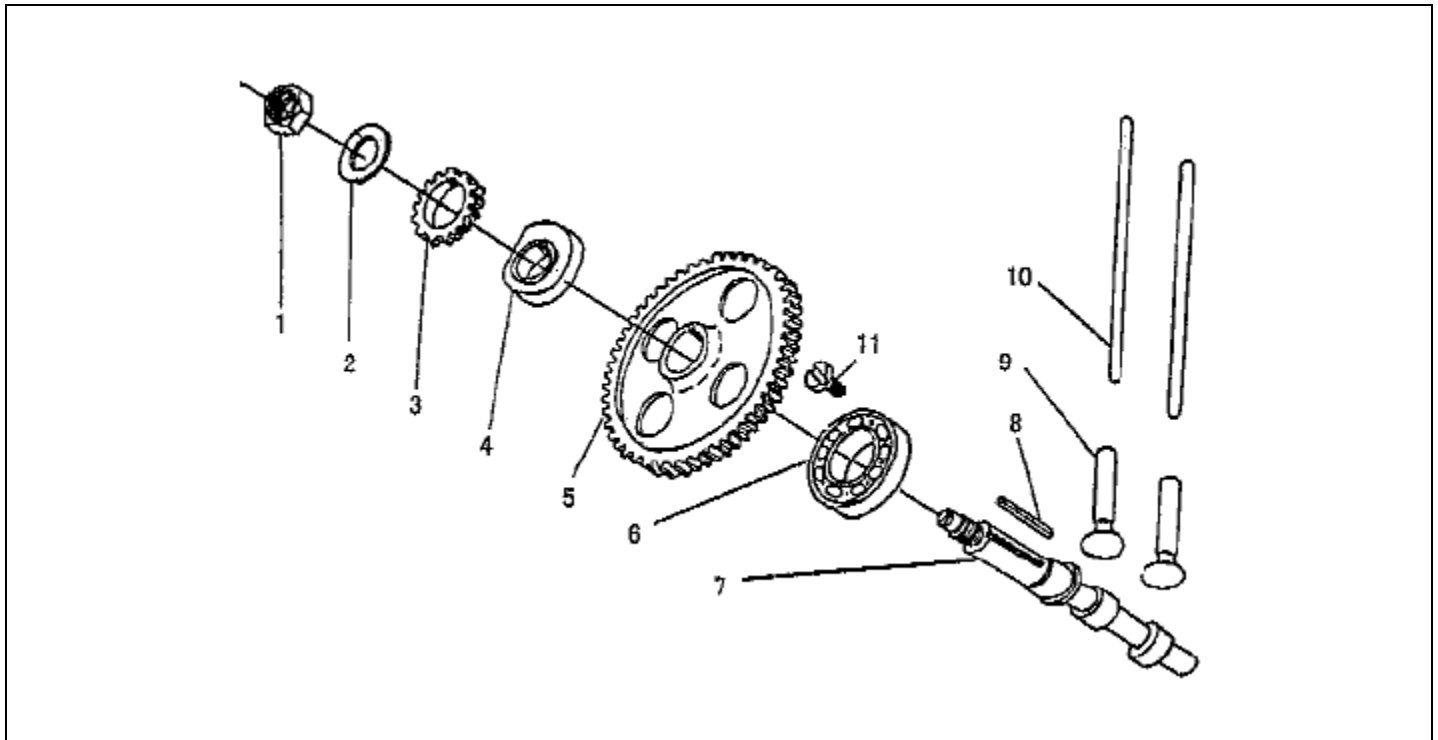
No	Description	QTY.	Part No.
1	Piston Pin	1	HD175A-04012
2	Piston Pin Circlip	2	HD175A-04004
3	Connecting Rod Bushing	1	HD175A-04013
5	Connecting Rod	1	HD175A-04005
7	Connecting Rod Bearing	2	HD175A-04009
8	Ring Set (4)	1	HD175A—04001/2
9		2	
10		1	
11	Piston 75mm		HD175A-04003

Fig. 5. Crankshaft and Flywheel Assembly



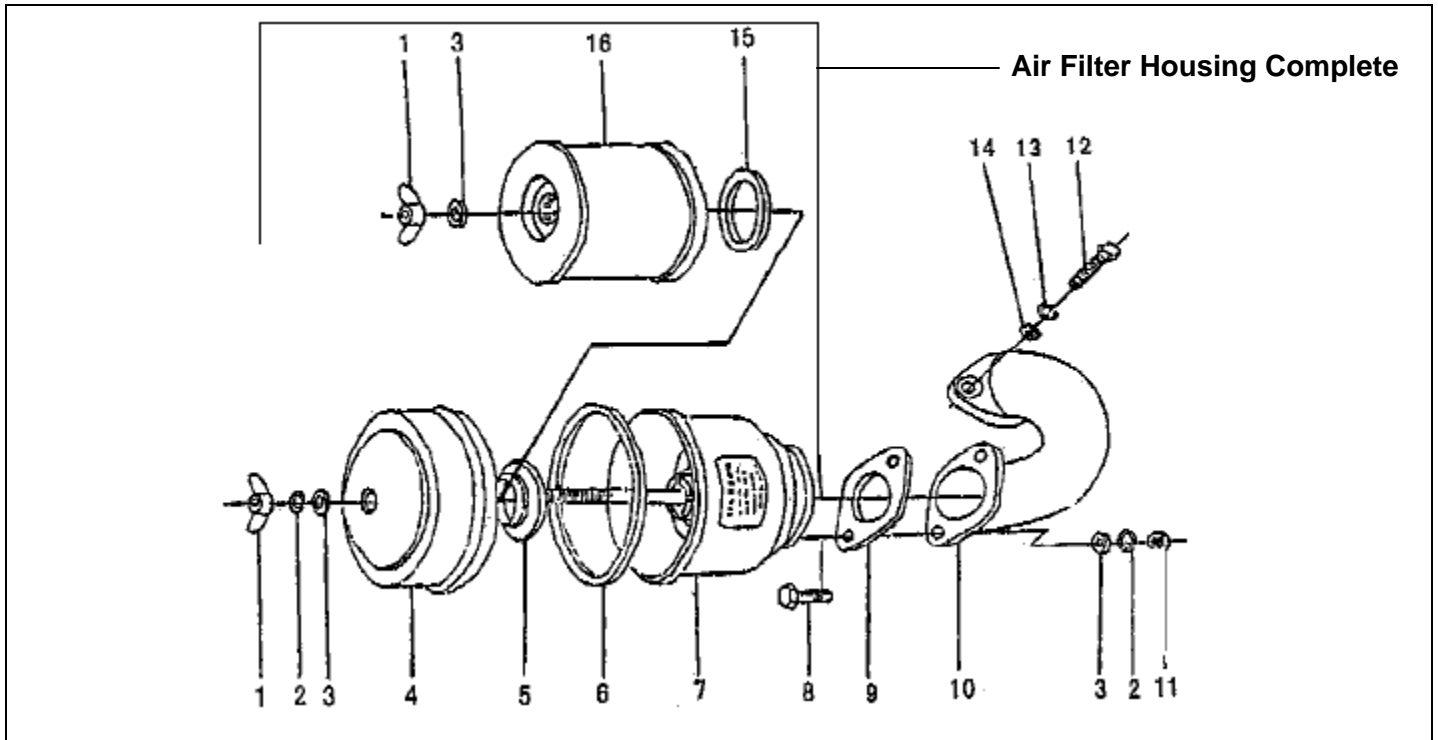
No	Description	QTY.	Part No.
1	Crankshaft Timing Gear	1	HD175A-05005
2	Bearing 209	1	
3	Key	1	
4	Flat Key of Flywheel	1	
5	Crankshaft	1	HD175A-05004
6	Balance Weight	2	HD175A-05006
7	Lock Washer	2	
8	Balance Weight Bolt	2	
9	Packing for Bearing Seat	1	HD175A-01029
10	Bearing 310	1	
11	Bolt	4	
12	Thrust Plate	2	HD175A—05009
13	Main Bearing Seat	1	HD175A-5012
14	Washer	6	
15	Bolt	6	
16	Oil Seal	1	
17	Flywheel	1	HD175A-05002
18	Flywheel Rock Plate	1	
19	Flywheel Nut	1	HD175A-05001
20	Bolt	3	
21	Washer	3	
22	Pin – Crank	4	GB119-86/8X28

Fig. 6. Camshaft



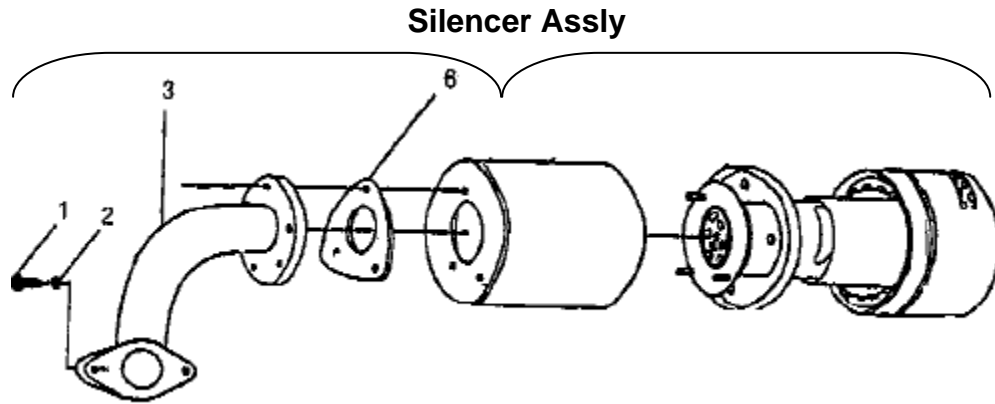
No	Description	QTY.	Part No.
1	Nut	1	
2	Camshaft Gasket	1	
3	Starting Driven Gear	1	HD175A-06004
4	Injection Pump Cam	1	HD175A-06006
5	Camshaft Timing Gear	1	HD175A-06007
6	Ball Bearing 205	1	
7	Camshaft	1	HD175A-06009
8	Key C5 x 46	1	
9	Tappet	1	HD175A-06002
10	Push Rod	2	HD175A-06001
11	Thrust screw	1	HD175A-06008

Fig. 7. Intake System



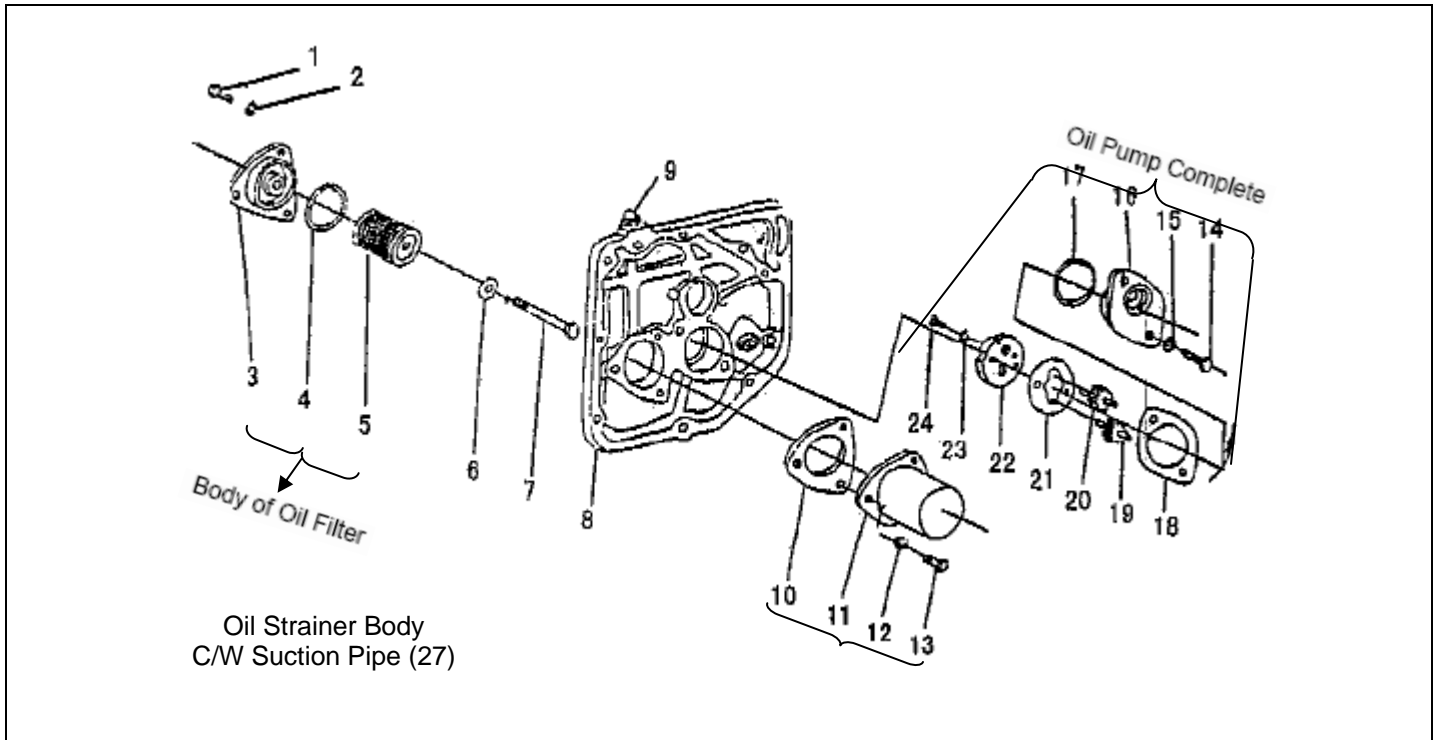
No	Description	QTY.	Part No.
1	Nut	2	
2	Washer	3	
3	Washer	4	
4	Air Filter Cover	1	HD175A-3000
5	Support Ring	1	
6	Cover Seal-Ring	1	
7	Air Filter Body	1	HD175A-20000
8	Bolt	2	
9	Packing for Air Filter	1	HD175A-07001
10	Intake Pipe	1	HD175A-0702
11	Nut	3	
12	Bolt	2	
13	Washer	2	
14	Washer	2	
15	Paper Element Seal Ring	1	
16	Air Filter Element	1	HD175A-07120
17	Air Filter Housing Complete	1	

Fig. 8. Exhaust System

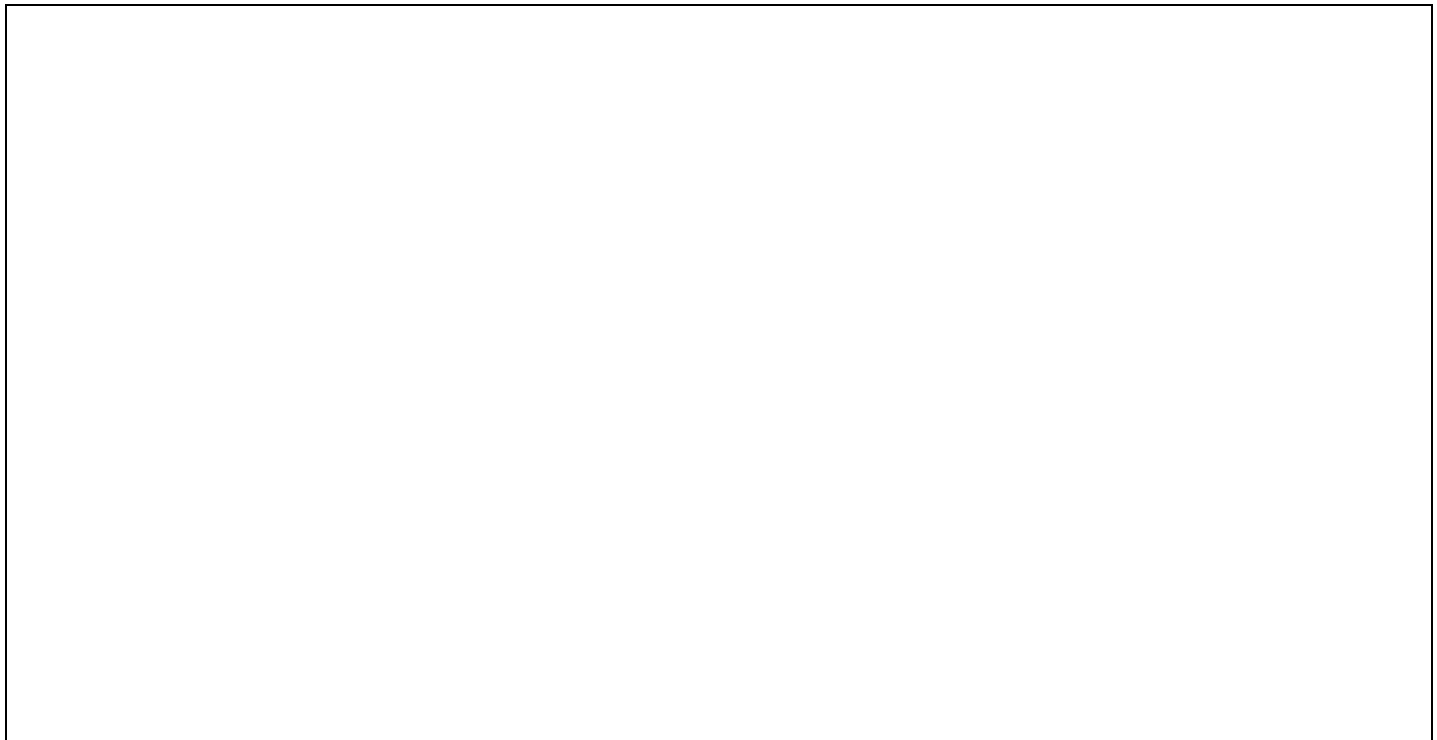


No	Description	QTY.	Part No.
1	Bolt	2	
2	Washer	2	
3	Exhaust Pipe	1	HD175A-08105A
6	Muffler Gasket	6	HD175A-08002
9	Silencer Assly	1	HD175A-08104

Fig. 9. Lubricating System



No	Description	QTY.	Part No.
1	Bolt	3	
2	Washer	3	
3	Oil Filter Body	1	
4	O-Seal Ring 50 x 2.5	1	
5	Oil Filter Element	1	
6	Washer	1	HD175A-09310
7	Bolt	1	
8	Timing Gear Cover	1	HD175A-01200
9	Oil Pressure Indicator	1	HD175A-09200
10	Gasket Oil Strainer	1	HD175A-09302
11	Filter Cup	1	HD175A-09303
12	Washer	6	
13	Bolt	3	
14	Bolt	2	
15	Washer	2	
16	Oil Pump Body	1	
17	Big O-Seal Ring	1	
18	Oil Pump Gasket	1	HD175-09405
19	Driven Gear for Oil Pump	1	
20	Driving Gear for Oil Pump	1	
21	Oil Pump Cover Gasket	1	
22	Oil Pump Cover		
23	Washer	2	
24	Screw	2	
25	Oil Pump Complete		HD175A-09100
26	Body of Oil Filter		HD175A-09301
27			HD175A-093A55



No	Description	QTY.	Part No.
1	Knob	1	HD175A-11102
2	Washer GB97.1-858	1	
3	Governing Control Handle	1	HD175A-11100
4	Nut GB6172-86-M6	2	HD175A-11104
5	Adjusting Screw	1	HD175A-11101
6	Governor Spring	1	HD175A-11001
7	Nut GB6172-86-M6	1	
8	Washer GB93-87 6	1	
9	Pull Lever	1	HD175A-1203
10	Governor Lever Shaft	1	
11	Nut GB6173-86 – M12 x 1.25		
12	Adjusting Screw	1	HD175A-11204
13	Governor Fork Lever	1	HD175A-11201
14	Steel Ball	1	5/16" GB308-77
15	Governor Spindle	1	R175-11311
16	Bolt	1	GB29.1-88 M6 X 16
17	Washer	2	GB93-87 6
18	Flyweight sup-Port	1	R175-11302
19	Governor Spring	1	R175-11304
20	Governor Spring Seat	1	R175-31106
21	Nut GB170-86-M6	1	R175-11301
22	Governor Lever Assly	1	HD175A-11000

Fig. 12. Water Hopper Assembly

No	Description	QTY.	Part No.
1	Gasket for Water Hopper	1	R175-02002
2	Water Hopper	1	R175-02002
3	Water GB97.1-85 8	4	
4	Washer GB93-87 8	4	
5	Bolt GB5783-86-M8x25	4	
6	Screw GB825-88-M10	1	
7	Screw GB5783-86-M6x16	4	
8	Washer GB97.1-85 6	4	
9	Float Indicator Nut	1	R175-02006
10	Funnel	1	R175-02005
11	Gasket for Funnel	1	R175-02004
12	Float Stem	1	R175-02007-02008

Fig. 13. Fuel Injection Pump Assembly

No	Description	QTY.	Part No.
1	Dust-proof	1	} Injector Pump Assly HD175A-BA11-00
2	Delivery Valve Holder	1	
3	Delivery Valve Spring	1	
4	Delivery Valve Holder	1	
5	Delivery Valve with Seat HD175A-F-0001	1	
6	Washer	2	
7	Positioning Screw	1	
8	Vent Screw	1	
9	Fuel Intake Hollow Bolt	1	
10	Washer	1	
11	Dust-Proof Washer	1	
12	Pump Body	1	
13	Rack	1	
14	Plunger and Barrel	1	HD175A-SA -----
15	Adjusting Gear Ring	1	
16	Upper Spring Seat	1	
17	Plunger Spring	1	
18	Lower Spring Seat	1	
19	Tappet	1	
20	Roller Pin	1	
21	Roller Bushing	1	
22	Roller	1	
23	Circlip	1	
24	Position Pin	1	

Fig. 15. Condenser Assembly

No	Description	QTY.	Part No.
1	Packing	1	
2	Base Plate	1	
3	Radiator Packing	1	HD175A-01007
4	Washer	4	
5	Washer	14	
6	Bolt	12	
7	Radiator	1	HD175A-02003
8	Washer	12	
9	Washer	10	
10	Bolt	3	
11	Connecting Bolt	1	
12	Washer	1	
13	Washer	2	
14	Screw	1	
15	Support	1	
16	Bolt	9	
17	Stator	1	
18	Screw	2	
19	Seal	1	
20	Fan Assembly	1	HD175A-02FAN
21	Fan Belt	1	HD175A-02BELT
22	V-Pulley	1	HD175A-03PULL
23	Tension Pulley Assembly	1	HD175A-02PULL
24	Radiator Cap	1	HD175A-02003C(1)

Fig. 16. Condenser Assembly LIST 2

No	Description	QTY.	Part No.
1	Fuel Tank	1	
2	Bolt	2	
3	Washer	11	
4	Nut	2	
5	Washer	7	
6	Bolt	4	
7	Screw	4	
8	Washer	15	
9	Washer	15	
10	Bolt	3	
11	Fan Shelter	1	
12	Cover Support	1	
13	Decorate Plate	1	
14	Bolt	4	
15	Bolt	4	
16	Bolt	3	
17	Washer	3	
18	Bush	3	
19	Cover	1	
20	Lighting Lamp	1	
21	Radiator Shelter	1	
22	Radiator Cover	1	HD175A-02400

Fig. 17. Tools Supplied with Engine

No	Description	QTY.	Part No.
1	V-Belt Pulley	1	
2	Wrench for Flywheel Nut	1	
3	Box Wrench	1	
4	Wrench for Cylinder Head Nut Connecting Rod Nut	1	
5	Wrench Lever	1	
6	Starting Crank Handle	1	HD175A-S/Hndle
7	Feeler Gauge	1	