

HOFFMANN POWER PRODUCTS

PARTS LIST 2012

3" DIESEL PUMP



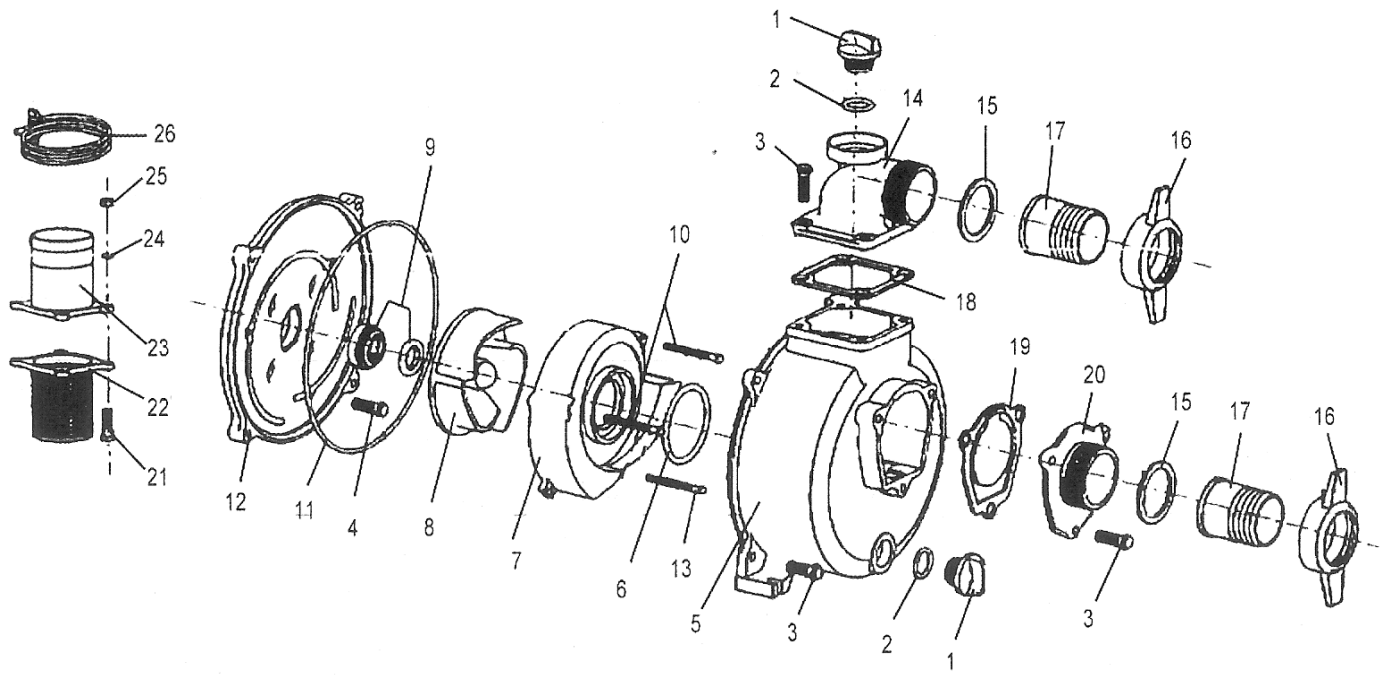
[ALL PARTS ARE SUBJECT TO STANDARD HOFFMANN TERMS AND CONDITIONS OF SALE 2010](#)

Replacement parts are not manufactured, sold or warranted by O.E.M's and any part numbers and or descriptions are used for identification purposes only.

Manufacturers names, numbers and descriptions are used for reference purposes only and it is not implied that any part listed is the product of the manufacturers.

All pictures and drawings are for reference purposes only; any specifications appearing in any documents emanating from The Company are approximate only and are subject to modifications without notice.

All rights reserved, material contained in this publication for which copyright is acknowledged. No part of this publication may be reproduced or transmitted in any form or by any means without written permission of the copyright holder. Copyright Hoffmann International©2012.



3" DIESEL PUMP

No	Description	QTY.	Part No.
1	Drain Plug M26X1.75	2	80WP-30020014
2	O-Ring 26X3.55 (GB3452.1-92)	2	
3	Flange Bolt M10X30 (GB5787-86)	12	Local
4	Flange Bolt M8X25 (GB5787-86)	4	GB5783-M8X25
5	Pump Housing (4 Hole)	1	80DPX-30020004
6	O-Ring	1	80DP-30020007
7	Volute Casing	1	80DP-30020006
8	Keyed Impeller	1	80DP-30020005
9	Mechanical Water Seal	1	80DP-30020004
10	Double End Stud M6X50 (GB900-88)	1	Local
11	O-Ring 233 X3.55	1	GB3452.1-92/23
12	Pump Cover	1	80DP-30020001
13	Cab Nut M6 (GB923-88)	3	GBT6170-86/6
14	Output Flange	1	80DP-30020012
15	Hose Connect Seal Ring	2	80DP-30000001
16	Metal Wing Nut	2	80DP-30000003
17	Hose Connector	2	80DP-30000002
18	Square Rubber Gasket	1	80DP-30020011
19	Rubber Flapper Valve	1	80DP-30020009
20	Screen Hose Barb	1	N/A
21	Flange Bolt M8X30 (GB5783-86)	4	HP30WD-046
22	Inlet Screen	1	N/A
23	Strainer Connector	1	80DP-3000006/C
24	Washer M8	4	GB97.1-85/6
25	Nut M8	4	GB6177-86
26	Hose Clamp 3"	3	80WP-30010004